

France P8G-2B

The NEAT Series: Neon Easy Access Transformers



15030 P8G-2B 9030 P8G-2B
 12030 P8G-2B 7530 P8G-2B
 9060 P8G-2B

- **Beveled edges** for easier installation
- **Built-in riser** to comply with 1/2 spacing requirements
- **Primary wires already in place**—No need to make in-house pigtails
- **Convenient handle** attached for easier service handling
- **Built-in, advanced diagnostic chip** tells you why the sign does not light—even after a temporary fault has been cleared.

Raising the standard with innovative technology from France.

Ease of installation – Patented angled bushings allow for greater visibility and ease of access to electrical connections, LED and service button. Doesn't block mounting screws and the step plate eliminates double-nutting.

Primary wiring requirements of a non-SGFP – With the added safety of a Secondary Ground Fault Protection with easy wire nut connections.

Secondary Ground Fault Protection (SGFP) – Disables unit upon detection of arcs to ground in compliance with UL2161 and NEC requirements.

Visible advanced diagnostic LED – Faster, easier troubleshooting is provided by an intelligent circuit that detects both primary and secondary faults and communicates the reason for service using the on-board LED.

Auto reset – After secondary ground fault, automatically attempts to reset three times within ten seconds. Manual reset possible any time by disconnecting primary power.

Last Fault Recall – Allows service technician to retrieve the last fault experienced, even after the fault condition has been cleared.

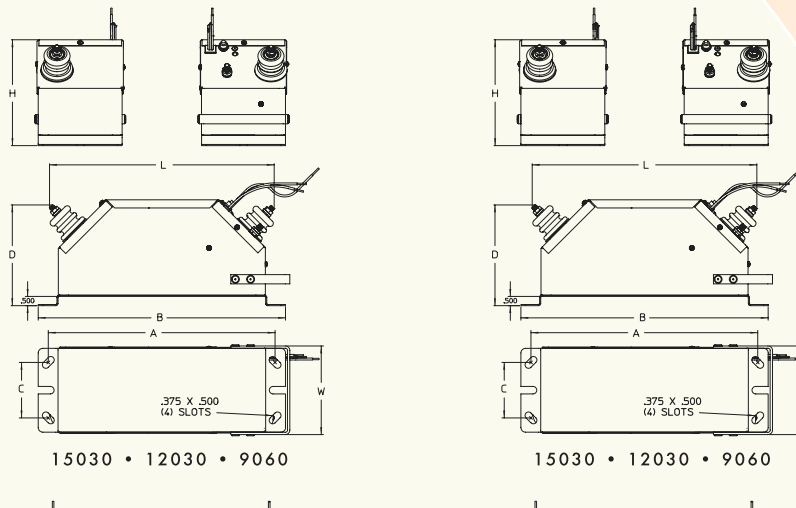
Bypass feature – For easy troubleshooting of ground faults and primary wiring problems. Overrides the SGFP for up to 30 minutes.

Can be used in flashing/dimming applications*

** UL does not have listing requirements for transformers that are remotely dimmed or flashed.*

France P8G-2B

The NEAT Series: Neon Easy Access Transformers



NORMAL POWER FACTOR

Catalog Number	UL/CSA	VAC	Hz	Secondary		Primary V.A.	Input Amps	Wt. Lbs.	Dimensions						
				Volts	mA				L	W	H	A	B	C	D
15030 P8G-2B	*	120	60	15000	30	475	3.95	23	12.13	4.79	5.72	12.23	13.36	3.00	5.50
12030 P8G-2B	*	120	60	12000	30	380	3.15	22	12.13	4.79	5.72	12.23	13.36	3.00	5.50
10530 P8G-2B	+	120	60	10500	30	320	2.65	22	12.13	4.79	5.72	12.23	13.36	3.00	5.50
9030 P8G-2B	*	120	60	9000	30	300	2.50	14	9.22	3.89	5.25	9.87	10.87	2.00	5.38
7530 P8G-2B	*	120	60	7500	30	250	2.10	14	9.22	3.89	5.25	9.87	10.87	2.00	5.38
6030 P8G-2B	+	120	60	6000	30	200	1.65	14	9.22	3.89	5.25	9.87	10.87	2.00	5.38
5030 P8G-2B	+	120	60	5000	30	170	1.40	14	9.22	3.89	5.25	9.87	10.87	2.00	5.38
4030 P8G-2B	+	120	60	4000	30	140	1.15	14	9.22	3.89	5.25	9.87	10.87	2.00	5.38
9060 P8G-2B	*	120	60	9000	60	595	4.95	25	12.13	4.79	5.72	12.23	13.36	3.00	5.50
7560 P8G-2B	+	120	60	7500	60	475	3.95	24	12.13	4.79	5.72	12.23	13.36	3.00	5.50
6060 P8G-2B	+	120	60	6000	60	380	3.15	22	12.13	4.79	5.72	12.23	13.36	3.00	5.50
5060 P8G-2B	+	120	60	5000	60	320	2.65	22	12.13	4.79	5.72	12.23	13.36	3.00	5.50
4060 P8G-2B	+	120	60	4000	60	265	2.20	14	9.22	3.89	5.25	9.87	10.87	2.00	5.38
15030 P8G-2B	*	277	60	15000	30	500	1.80	23	12.13	4.79	5.72	12.23	13.36	3.00	5.50
12030 P8G-2B	*	277	60	12000	30	400	1.45	22	12.13	4.79	5.72	12.23	13.36	3.00	5.50
10530 P8G-2B	+	277	60	10500	30	330	1.20	22	12.13	4.79	5.72	12.23	13.36	3.00	5.50
9030 P8G-2B	*	277	60	9000	30	305	1.10	14	9.22	3.89	5.25	9.87	10.87	2.00	5.38
7530 P8G-2B	*	277	60	7500	30	250	0.90	14	9.22	3.89	5.25	9.87	10.87	2.00	5.38
6030 P8G-2B	+	277	60	6000	30	210	0.75	14	9.22	3.89	5.25	9.87	10.87	2.00	5.38
5030 P8G-2B	+	277	60	5000	30	165	0.60	14	9.22	3.89	5.25	9.87	10.87	2.00	5.38
4030 P8G-2B	+	277	60	4000	30	140	0.50	14	9.22	3.89	5.25	9.87	10.87	2.00	5.38
9060 P8G-2B	*	277	60	9000	60	595	2.15	25	12.13	4.79	5.72	12.23	13.36	3.00	5.50
7560 P8G-2B	+	277	60	7500	60	500	1.80	23	12.13	4.79	5.72	12.23	13.36	3.00	5.50
6060 P8G-2B	+	277	60	6000	60	400	1.45	22	12.13	4.79	5.72	12.23	13.36	3.00	5.50
5060 P8G-2B	+	277	60	5000	60	330	1.20	22	12.13	4.79	5.72	12.23	13.36	3.00	5.50
4060 P8G-2B	+	277	60	4000	60	240	0.87	14	9.22	3.89	5.25	9.87	10.87	2.00	5.38

MINNESOTA
800-328-6592

CALIFORNIA
800-824-2468

MIDWEST
Sign & Screen Printing Supply Co.

COLORADO
800-332-3819

MISSOURI
800-233-3770

NEBRASKA
800-228-3839

OREGON
800-228-0596

UTAH
800-497-6690

WASHINGTON
800-426-4938

WISCONSIN
800-242-7430

