

FRANCE

P5KA2NG-2UE ServiceMaster



Universal Replacement Service Units

*Ever wish you had 8 arms?
With the "ServiceMaster" you only need 2!*



- ◆ **True 30mA Output-** The "ServiceMaster" can replace 8 ratings.
- ◆ **Diagnostic Circuit-** "LED" indicates the reason for service, allowing for quick, easy troubleshooting.
- ◆ **Primary Wiring Requirements of a Non-SCGFP -** with the added safety of Secondary Ground Fault Protection.
- ◆ **Service Button -** For easy troubleshooting of ground faults and primary wiring problems. Overrides the SCGFP for up to 30 minutes.
- ◆ **Auto Reset -** After secondary ground fault, automatically attempts to reset three times within ten seconds. Manual reset possible at any time by disconnecting primary power.
- ◆ **Secondary Circuit Ground Fault Protection - (SCGFP)** Disables unit upon detection of arcs to ground in compliance with **UL2161** and **NEC** requirements.
- ◆ **Easy Wiring Methods -** Virtual Ground and Series Wiring Methods
- ◆ **User Friendly -** Adapts to most grounding situations.
- ◆ **Features Include-** Easy to carry handle; On/Off Toggle Switch; No transformer box required for interior installations.
- ◆ ***Can be used in flashing/dimming applications.**

*UL does not have listing requirements for transformers that are remotely dimmed or flashed.

www.franceformer.com

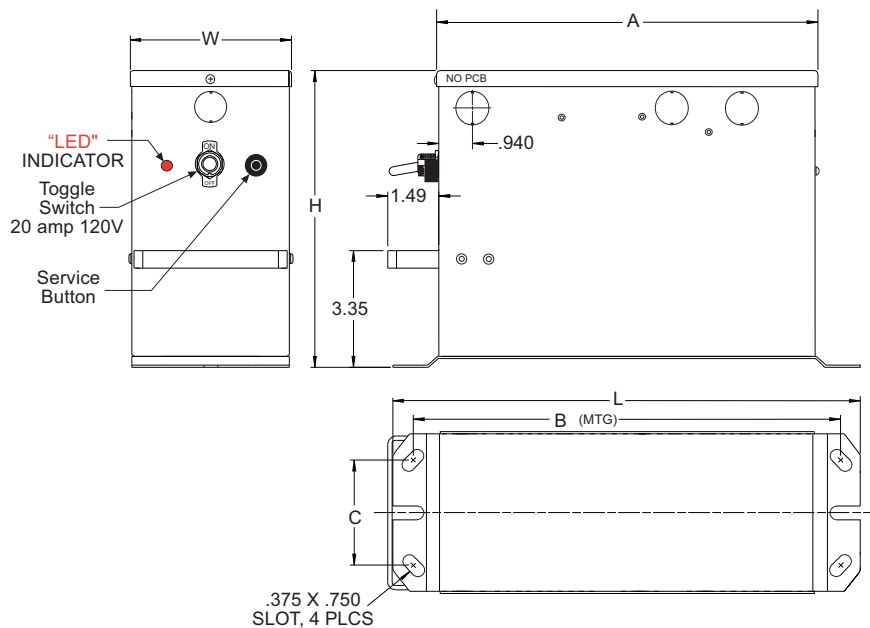
P5KA2NG-2UE ServiceMaster

SERVICE MASTER	REPLACES
15030 P5KA2NG-2UE	15000, 12000 & 10500 Volt
9030 P5KA2NG-2UE	9000, 7500, 6000, 5000, 4000, 3000 & 2000 Volt

Diagnostic LED Operation

DIAGNOSTIC LED OPERATION	
LED Fault Code	Indicates
Steady ON	Operating normally
Continuous Flashing	In Service Mode
1 - Flash	15 second Diagnostic & Auto Reset Mode
2 - Flash	Secondary Ground Fault with service ground connected
3 - Flash	Secondary Ground Fault when service ground not connected
4 - Flash	Input Voltage exceeds 120% of rated
5 - Flash	Line & Neutral reversed on input connections

Service Switch does not operate without proper grounding.



NORMAL POWER FACTOR

Catalog Number	VAC	Hz	Secondary		Primary V.A.	Input Amps	Wt. Lbs.	Case Dimensions					
			Volts	mA				L	W	H	A	B	C
15030 P5KA2NG-2UE	120	60	15000	30	510	4.25	25	13.35	4.50	7.47	10.87	12.21	3.00
9030 P5KA2NG-2UE	120	60	9000	30	330	2.75	17	13.35	4.50	7.47	10.87	12.21	3.00
15030 P5KA2NG-2UE	277	60	15000	30	530	1.90	25	13.35	4.50	7.47	10.87	12.21	3.00
9030 P5KA2NG-2UE	277	60	9000	30	320	1.15	17	13.35	4.50	7.47	10.87	12.21	3.00

MINNESOTA
800-328-6592

CALIFORNIA
800-824-2468

MIDWEST
Sign & Screen Printing Supply Co.

COLORADO
800-332-3819

MISSOURI
800-233-3770

NEBRASKA
800-228-3839

OREGON
800-228-0596

UTAH
800-497-6690

WASHINGTON
800-426-4938

WISCONSIN
800-242-7430